

Product: Low noise amplifier

Part Number: LNA-0.05/6-40



Specification					
No.	Parameter	Minimum	Typical	Maximum	Units
1	Frequency range	0.05	-	6	GHz
2	Gain	40	42		dB
4	Gain Flatness			±2.0	db
5	Noise Figure		1.6	2.0	dB
6	P1dB Output Power	16			dBm
7	Psat Output Power	17			dBm
8	VSWR		1.6	2.2	-
9	Supply Voltage			+12	V
10	DC Current		150		mA
11	Input Max Power(No damage)			0	dBm
12	Connecter	SMA-F			
13	Voltage Control Terminal	Core Capacitor			
14	Spurious	-60			dBc
15	Impedance		50		Ω
16	Operational Temperature	-45°C ~ +85°C			
15	Weight	50G			
16	Preferred finish colour	Sliver			

Environmental Specifications	
Operational Temperature	-30°C~+55°C
Storage Temperature	-55°C~+100°C
Vibration	25gRMS (15 degrees 2KHz) endurance, 1 hour per axis
Humidity	100% RH at 35°C, 95%RH at 40°C
Shock	20G for 11msec half sine wave, 3 axis both directions
Mechanical Specifications	
Housing	Aluminum
Connector	Brass

成都利德尔科技有限公司 ChengDu Leader Microwave Technology Co.,Ltd

电话: 028-65199117 传真: 028-65199116

<http://www.leadermicrowave.com> [sales@leader-mw.com](mailto:sales@leader-mw.com)

TEL: +86-28-65199117 FAX: +86-28-65199116

Add: 中国 成都市成华区华翰路 89 号 610000

No.89,Huahan Road, chenghua Zone Chengdu, Sichuan China Zip Code:610000

Female Contact:	gold plated beryllium brass
Rohs	compliant
Weight	0.1kg

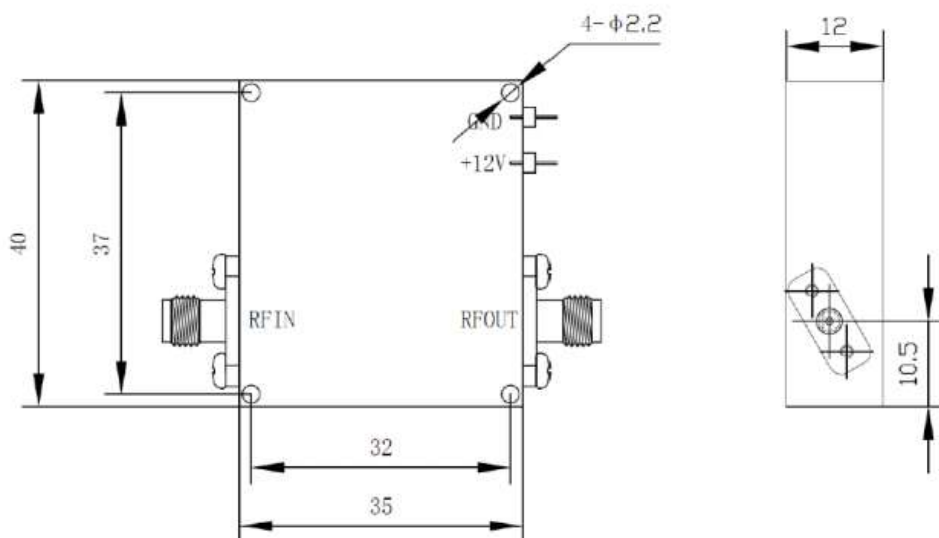
### Outline Drawing:

All Dimensions in mm

Outline Tolerances  $\pm 0.5(0.02)$

Mounting Holes Tolerances  $\pm 0.2(0.008)$

All Connectors: SMA-Female



### TEST DATA

成都利德尔科技有限公司 ChengDu Leader Microwave Technology Co.,Ltd

电话: 028-65199117 传真: 028-65199116

<http://www.leadermicrowave.com> [sales@leader-mw.com](mailto:sales@leader-mw.com)

TEL: +86-28-65199117 FAX: +86-28-65199116

Add: 中国 成都市成华区华翰路 89 号 610000

No.89,Huahan Road, chenghua Zone Chengdu, Sichuan China Zip Code:610000